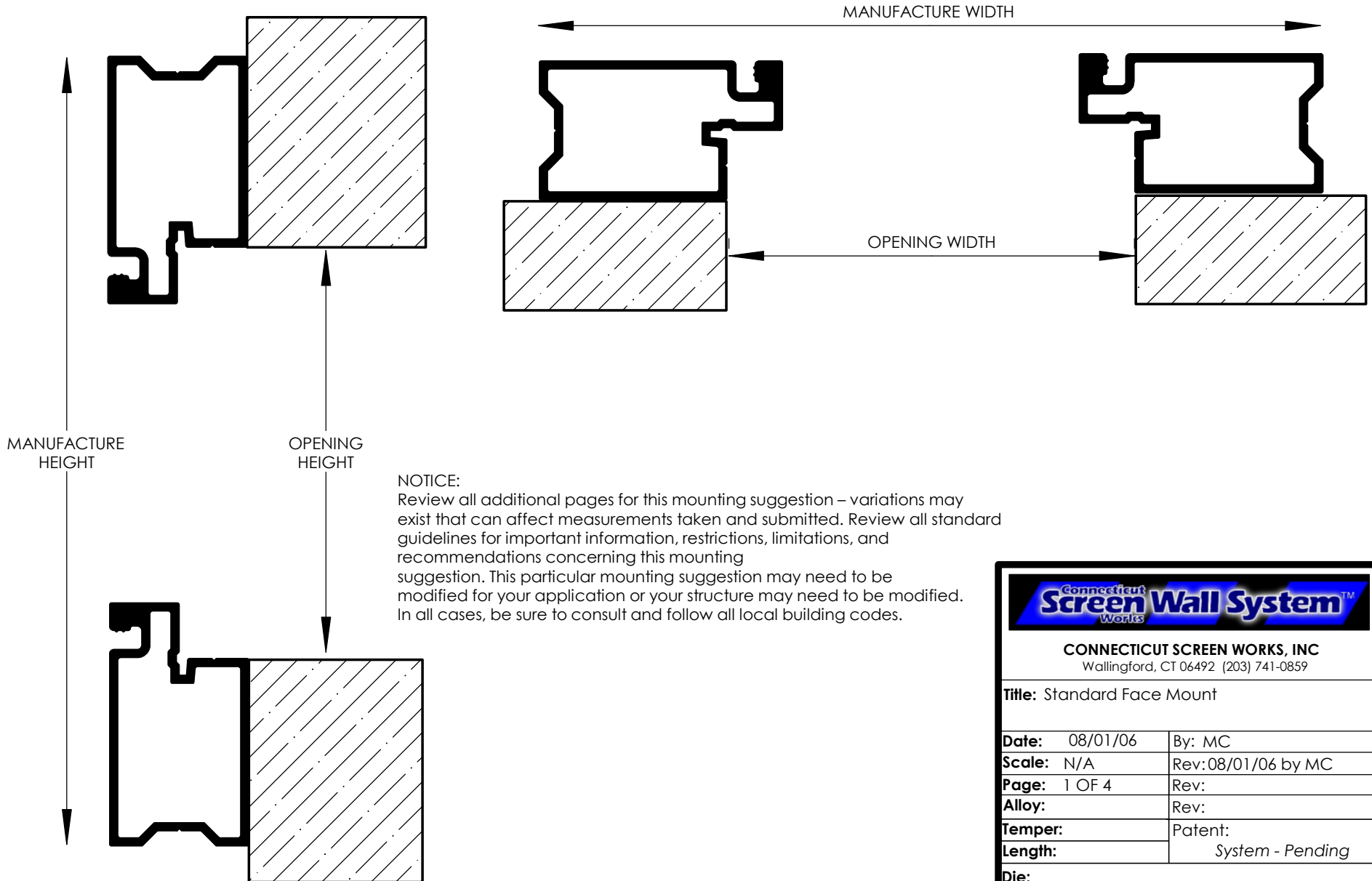



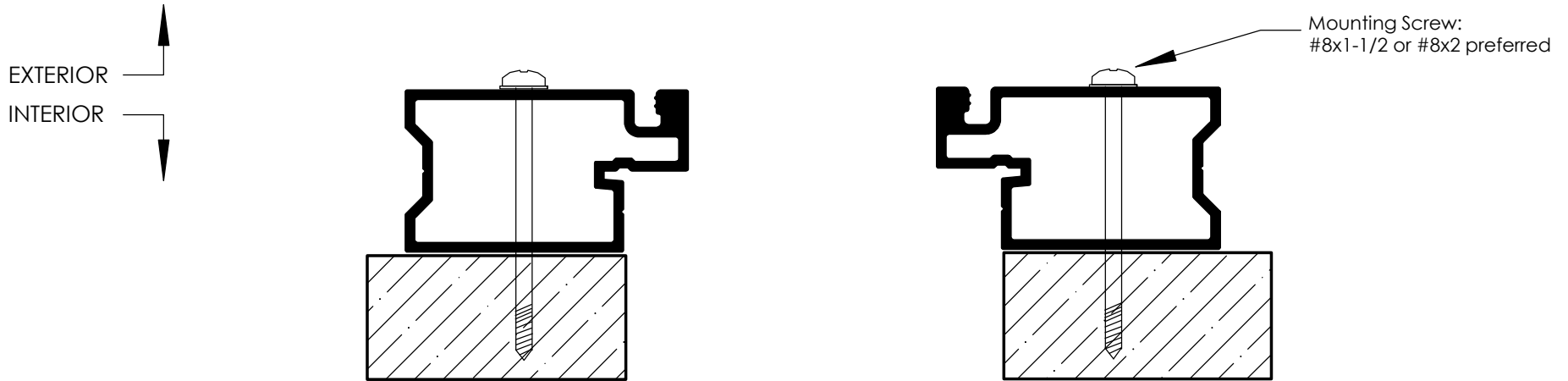
# STANDARD FACE MOUNT



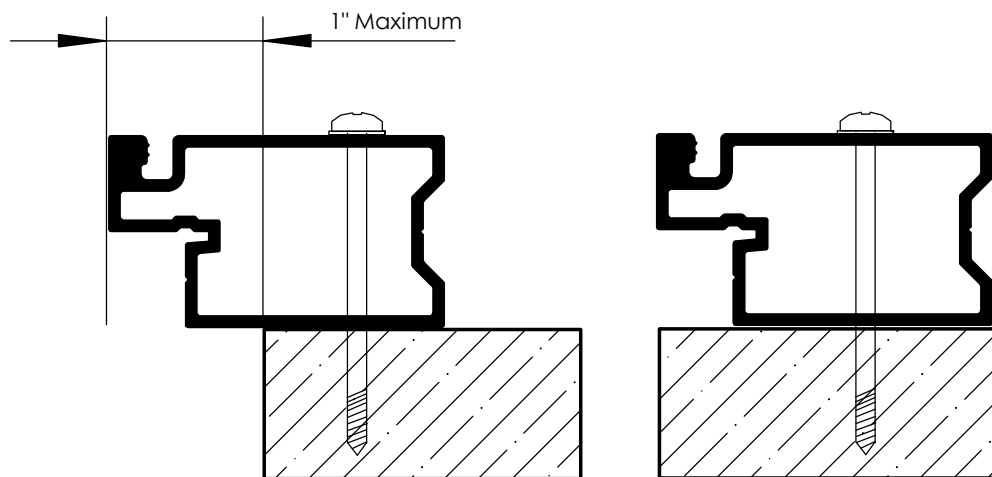
	
<b>CONNECTICUT SCREEN WORKS, INC</b> Wallingford, CT 06492 (203) 741-0859	
<b>Title:</b> Standard Face Mount	
<b>Date:</b> 08/01/06	<b>By:</b> MC
<b>Scale:</b> N/A	<b>Rev:</b> 08/01/06 by MC
<b>Page:</b> 1 OF 4	<b>Rev:</b>
<b>Alloy:</b>	<b>Rev:</b>
<b>Temper:</b>	<b>Patent:</b>
<b>Length:</b>	System - Pending
<b>Die:</b>	
<small>all contents copyright 2006 by CSW, Inc.</small>	

# STANDARD FACE MOUNT


## TOP DOWN VIEW OF MASTER FRAME INSTALLED



## VARIATIONS



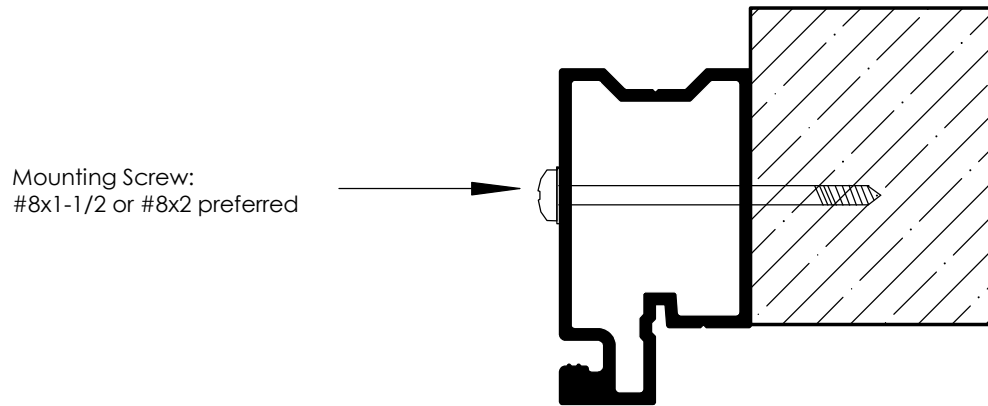
Master frame can be positioned for mounting as required.

	
<b>CONNECTICUT SCREEN WORKS, INC</b> Wallingford, CT 06492 (203) 741-0859	
<b>Title:</b> Standard Face Mount	
<b>Date:</b> 08/01/06	<b>By:</b> MC
<b>Scale:</b> N/A	<b>Rev:</b> 08/01/06 by MC
<b>Page:</b> 2 OF 4	<b>Rev:</b>
<b>Alloy:</b>	<b>Rev:</b>
<b>Temper:</b>	<b>Patent:</b>
<b>Length:</b>	System - Pending
<b>Die:</b>	
<small>all contents copyright 2006 by CSW, Inc.</small>	

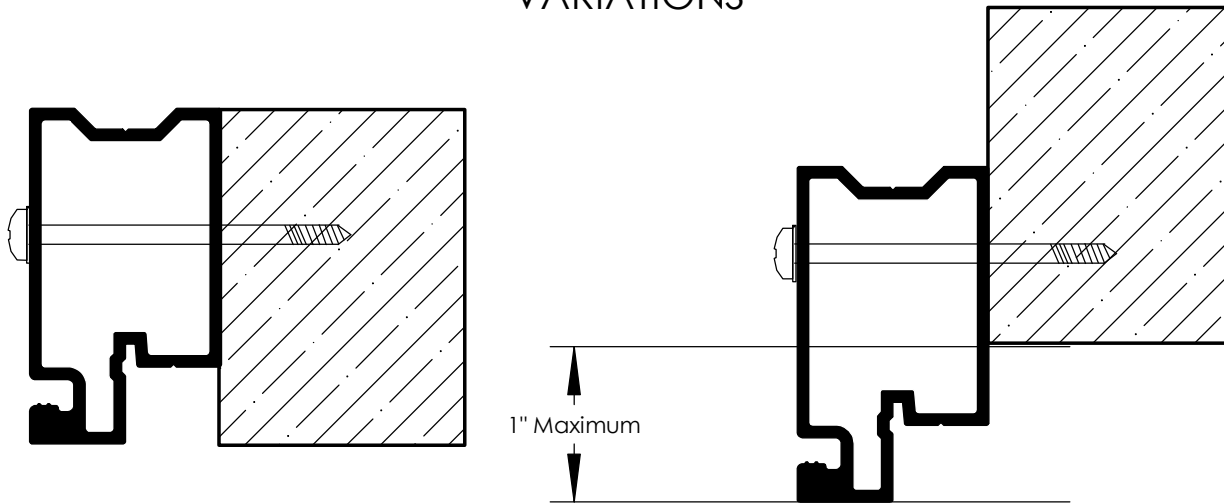
# STANDARD FACE MOUNT



## SIDE VIEW OF TOP MASTER FRAME INSTALLATION



## VARIATIONS



Master frame can be positioned for mounting as required.

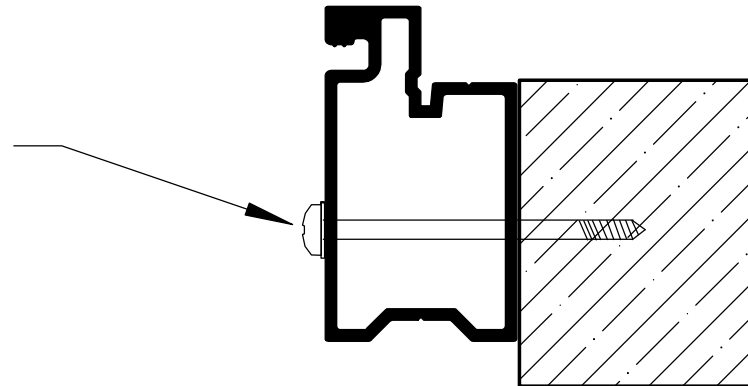
<b>Connecticut Screen Works</b> <b>Screen Wall System™</b>	
<b>CONNECTICUT SCREEN WORKS, INC</b> Wallingford, CT 06492 (203) 741-0859	
<b>Title:</b> Standard Face Mount	
<b>Date:</b> 08/01/06	<b>By:</b> MC
<b>Scale:</b> N/A	<b>Rev:</b> 08/01/06 by MC
<b>Page:</b> 3 OF 4	<b>Rev:</b>
<b>Alloy:</b>	<b>Rev:</b>
<b>Temper:</b>	<b>Patent:</b>
<b>Length:</b>	System - Pending
<b>Die:</b>	
<small>all contents copyright 2006 by CSW, Inc.</small>	

# STANDARD FACE MOUNT

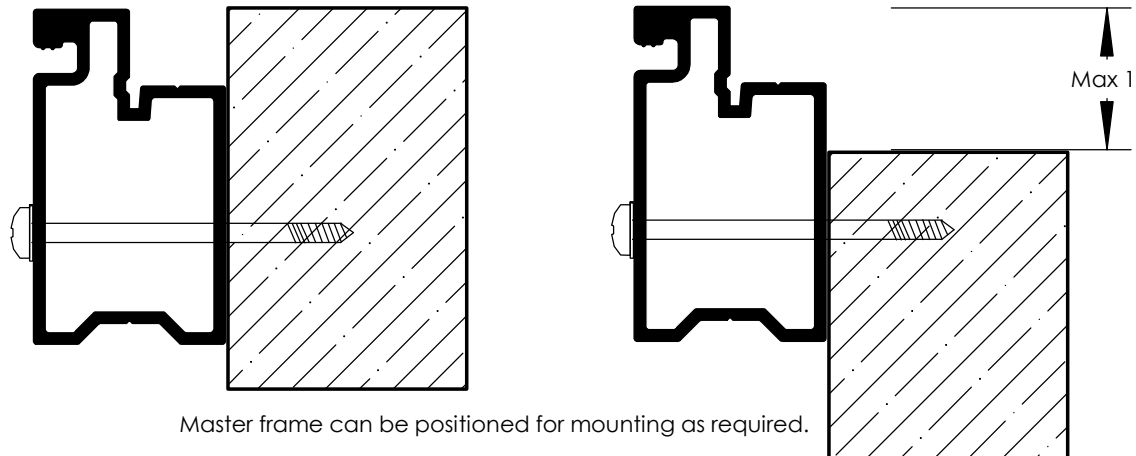


## SIDE VIEW OF LOWER MASTER FRAME INSTALLATION

Mounting Screw:  
#8x1-1/2 or #8x2 preferred



## VARIATIONS



<b>Connecticut Screen Wall System™</b> Works	
<b>CONNECTICUT SCREEN WORKS, INC</b> Wallingford, CT 06492 (203) 741-0859	
<b>Title:</b> Standard Face Mount	
<b>Date:</b> 08/01/06	By: MC
<b>Scale:</b> N/A	Rev: 08/01/06 by MC
<b>Page:</b> 4 OF 4	Rev:
<b>Alloy:</b>	Rev:
<b>Temper:</b>	Patent:
<b>Length:</b>	System - Pending
<b>Die:</b>	
all contents copyright 2006 by CSW, Inc.	