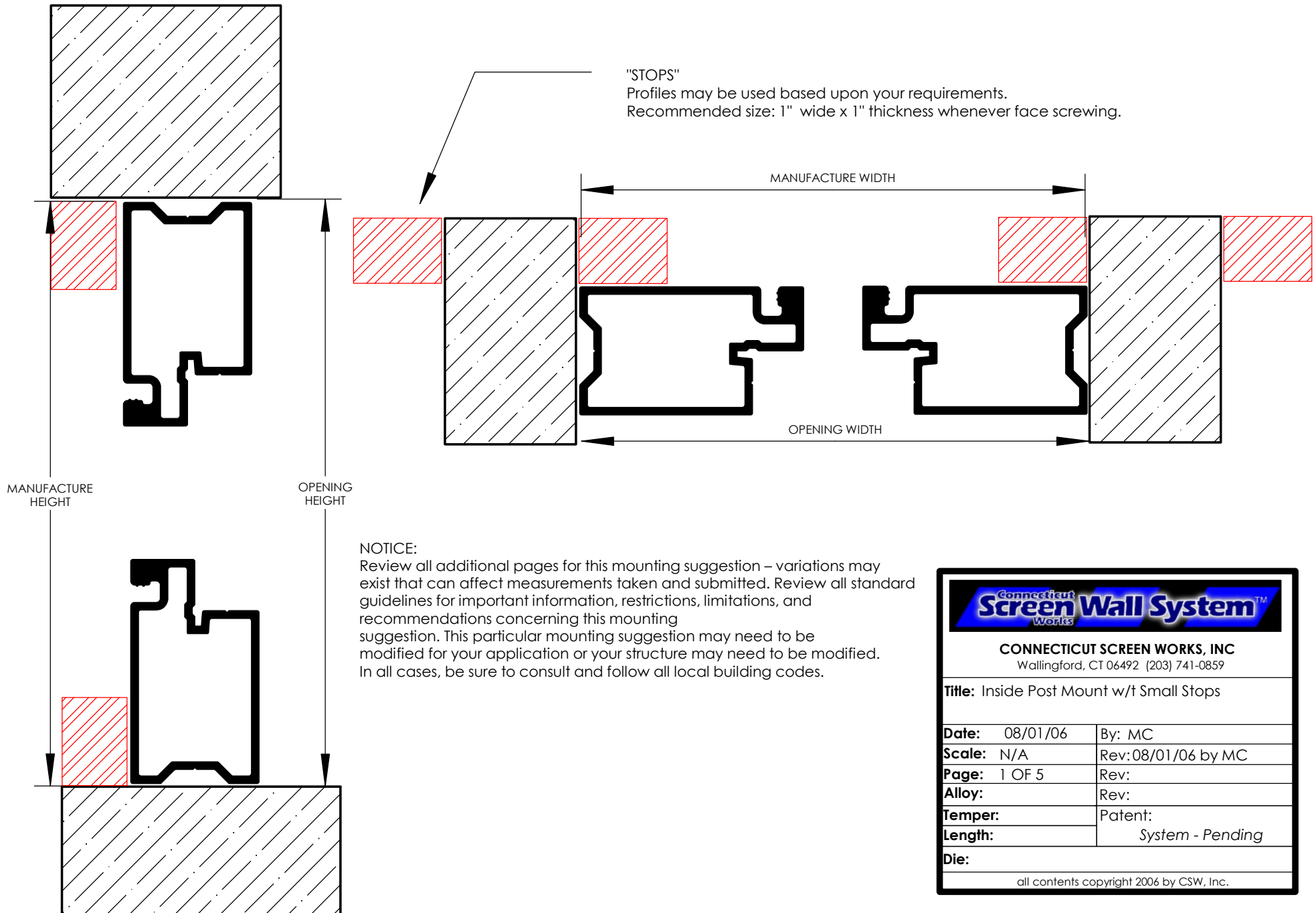



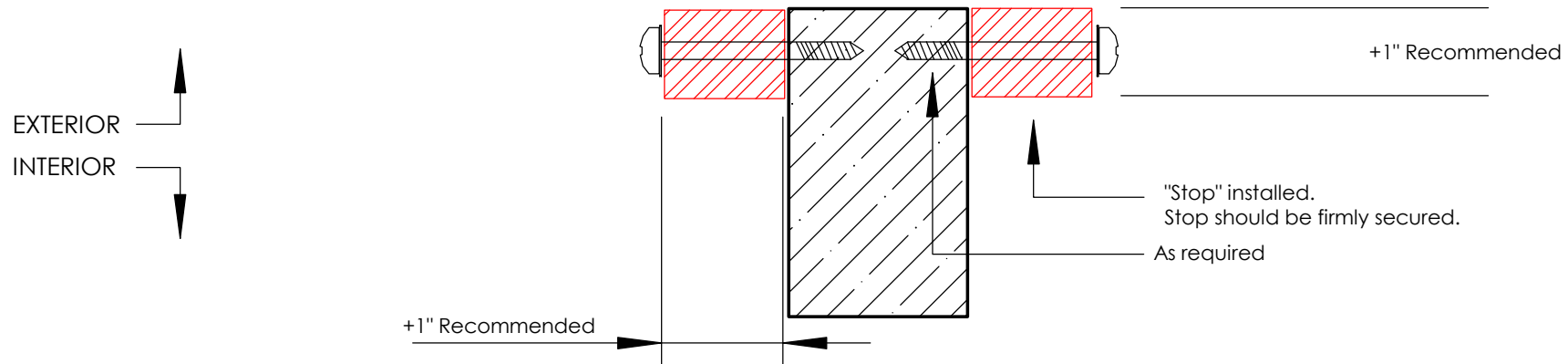
INSIDE POST WITH SMALL STOPS



	
CONNECTICUT SCREEN WORKS, INC Wallingford, CT 06492 (203) 741-0859	
Title: Inside Post Mount w/t Small Stops	
Date: 08/01/06	By: MC
Scale: N/A	Rev: 08/01/06 by MC
Page: 1 OF 5	Rev:
Alloy:	Rev:
Temper:	Patent:
Length:	System - Pending
Die:	
all contents copyright 2006 by CSW, Inc.	

INSIDE POST WITH SMALL STOPS

TOP DOWN VIEW OF TWO ADJOINING MASTER FRAME PANELS



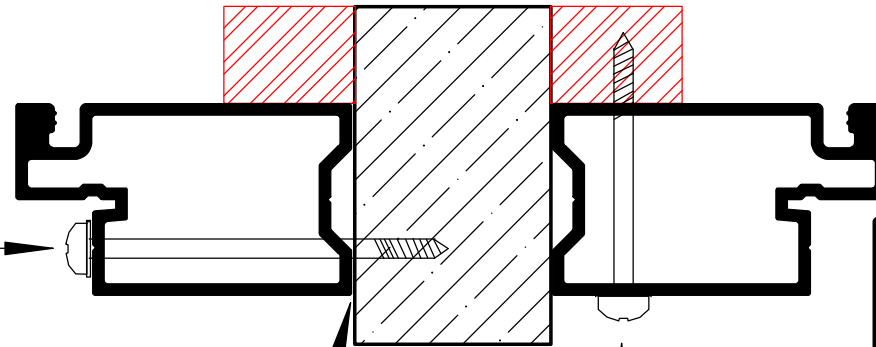
INSTALLATION - USE ONE METHOD - NOT BOTH


Do not side screw in applications where inserts are to be installed into the master frame. Screw head will block insert installation.

Mounting Screw:
#8x2-1/2 or #8x3 preferred

Gap between post and master frame will vary based upon preplanning. Maximum recommended space is 1/2" in all applications.

Mounting Screw:
#8x1-1/2 or #8x2 preferred



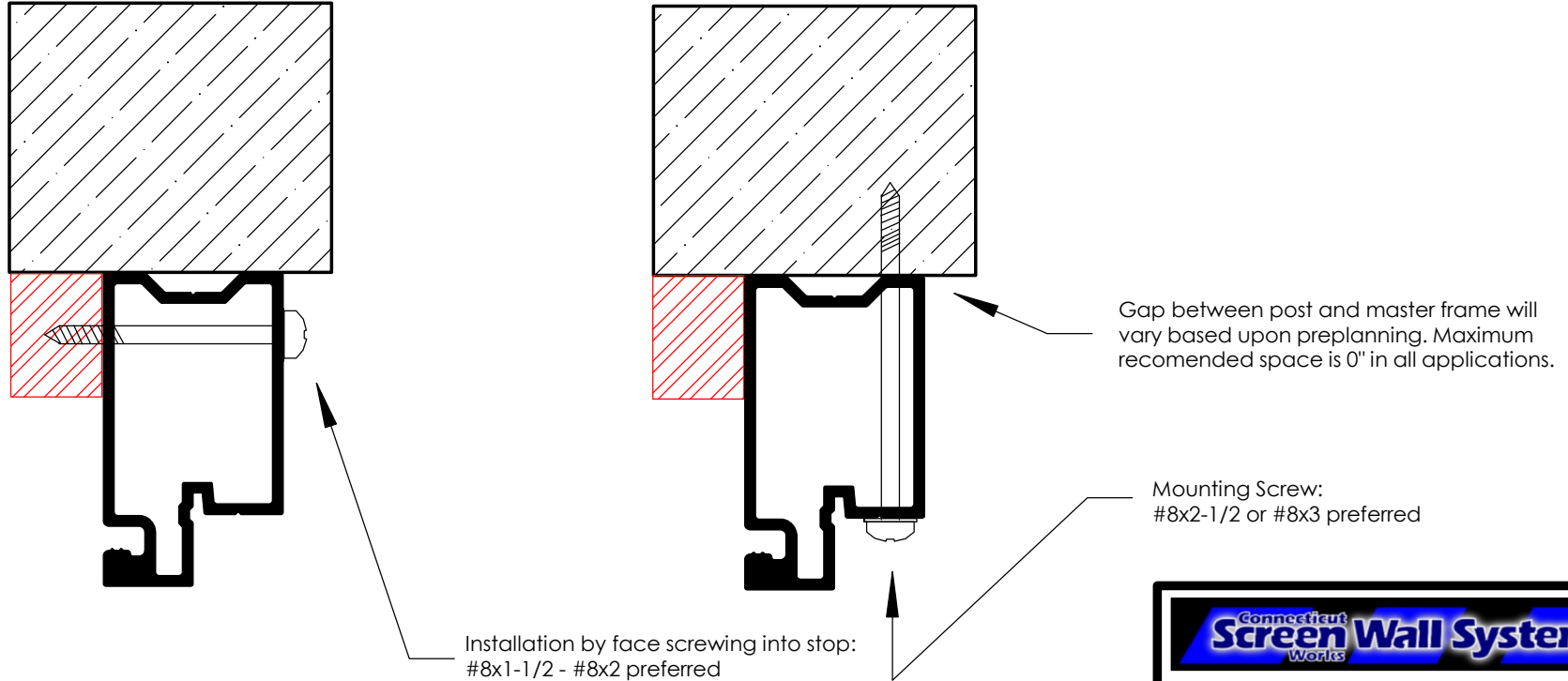
	
CONNECTICUT SCREEN WORKS, INC Wallingford, CT 06492 (203) 741-0859	
Title: Inside Post Mount w/t Small Stops	
Date: 08/01/06	By: MC
Scale: N/A	Rev: 08/01/06 by MC
Page: 2 OF 5	Rev:
Alloy:	Rev:
Temper:	Patent:
Length:	System - Pending
Die:	
<small>all contents copyright 2006 by CSW, Inc.</small>	


INSIDE POST WITH SMALL STOPS



SIDE VIEW OF TOP MASTER FRAME INSTALLATION

USE ONE METHOD SHOWN - NOT BOTH



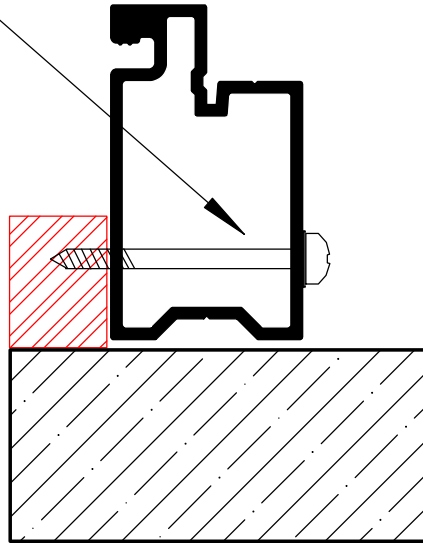
	
CONNECTICUT SCREEN WORKS, INC Wallingford, CT 06492 (203) 741-0859	
Title: Inside Post Mount w/t Small Stops	
Date: 08/01/06	By: MC
Scale: N/A	Rev: 08/01/06 by MC
Page: 3 OF 5	Rev:
Alloy:	Rev:
Temper:	Patent:
Length:	System - Pending
Die:	
all contents copyright 2006 by CSW, Inc.	

INSIDE POST WITH SMALL STOPS

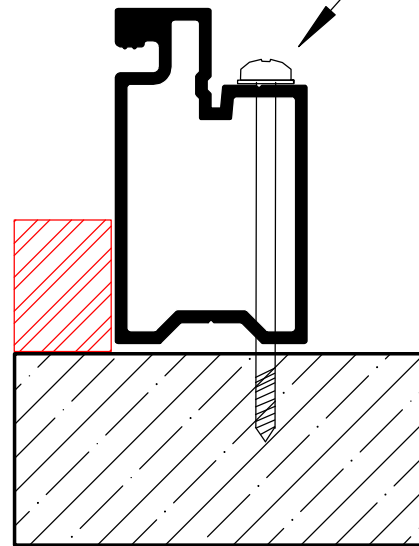



SIDE VIEW OF LOWER MASTER FRAME INSTALLATION

Installation by face screwing into stop:
#8x1-1/2 - #8x2 preferred



Mounting Screw:
#8x2-1/2 or #8x3 preferred



	
CONNECTICUT SCREEN WORKS, INC Wallingford, CT 06492 (203) 741-0859	
Title: Inside Post Mount w/t Small Stops	
Date: 08/01/06	By: MC
Scale: N/A	Rev: 08/01/06 by MC
Page: 4 OF 5	Rev:
Alloy:	Rev:
Temper:	Patent:
Length:	System - Pending
Die:	
<small>all contents copyright 2006 by CSW, Inc.</small>	