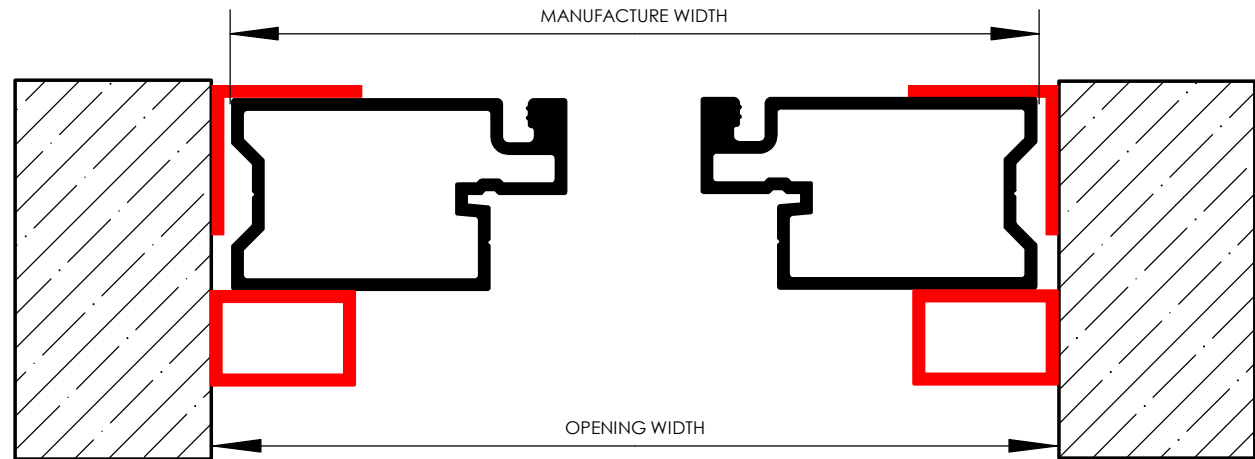
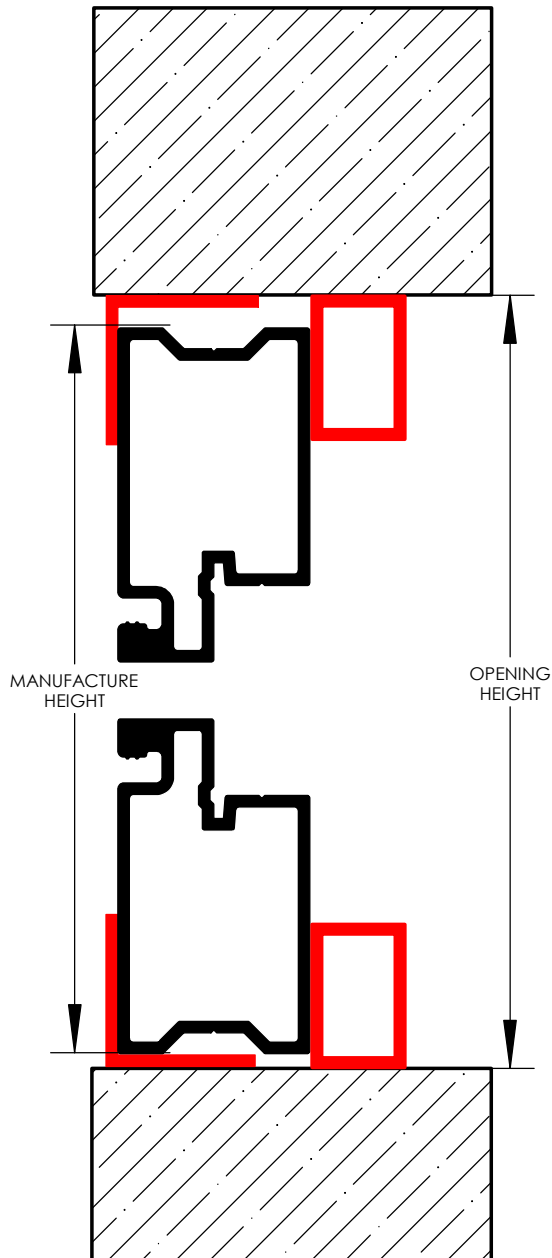



ANGLE STOP MOUNT

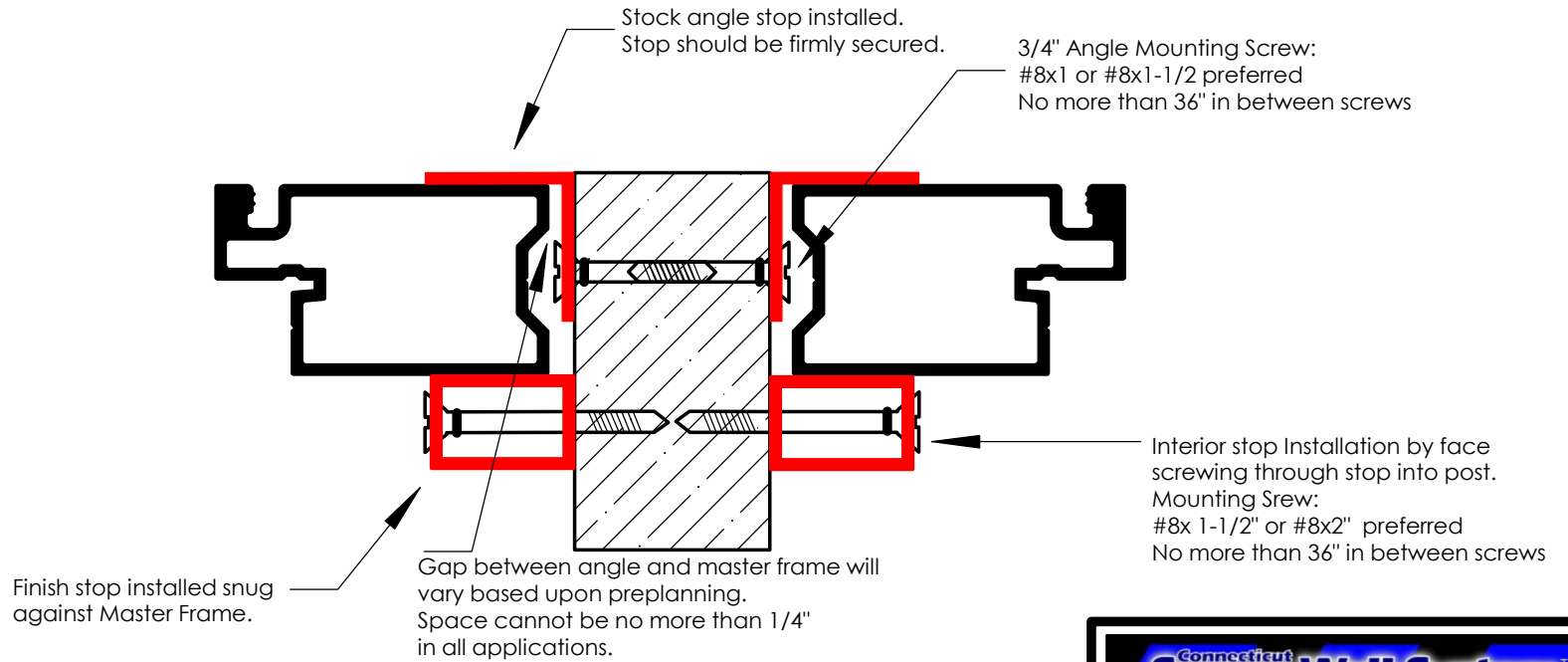
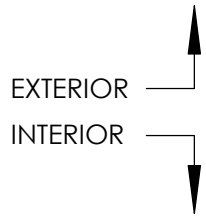



NOTICE:
 Review all additional pages for this mounting suggestion – variations may exist that can affect measurements taken and submitted. Review all standard guidelines for important information, restrictions, limitations, and recommendations concerning this mounting suggestion. This particular mounting suggestion may need to be modified for your application or your structure may need to be modified. In all cases, be sure to consult and follow all local building codes.

	
CONNECTICUT SCREEN WORKS, INC Wallingford, CT 06492 (203) 741-0859	
Title: Mounting with Angle Stops	
Date: 08/01/06	By: MC
Scale: N/A	Rev: 08/01/06 by MC
Page: 1 OF 5	Rev:
Alloy:	Rev:
Temper:	Patent:
Length:	System - Pending
Die:	
<small>all contents copyright 2006 by CSW, Inc.</small>	

ANGLE STOP MOUNT

TOP DOWN VIEW OF TWO ADJOINING MASTER FRAME PANELS

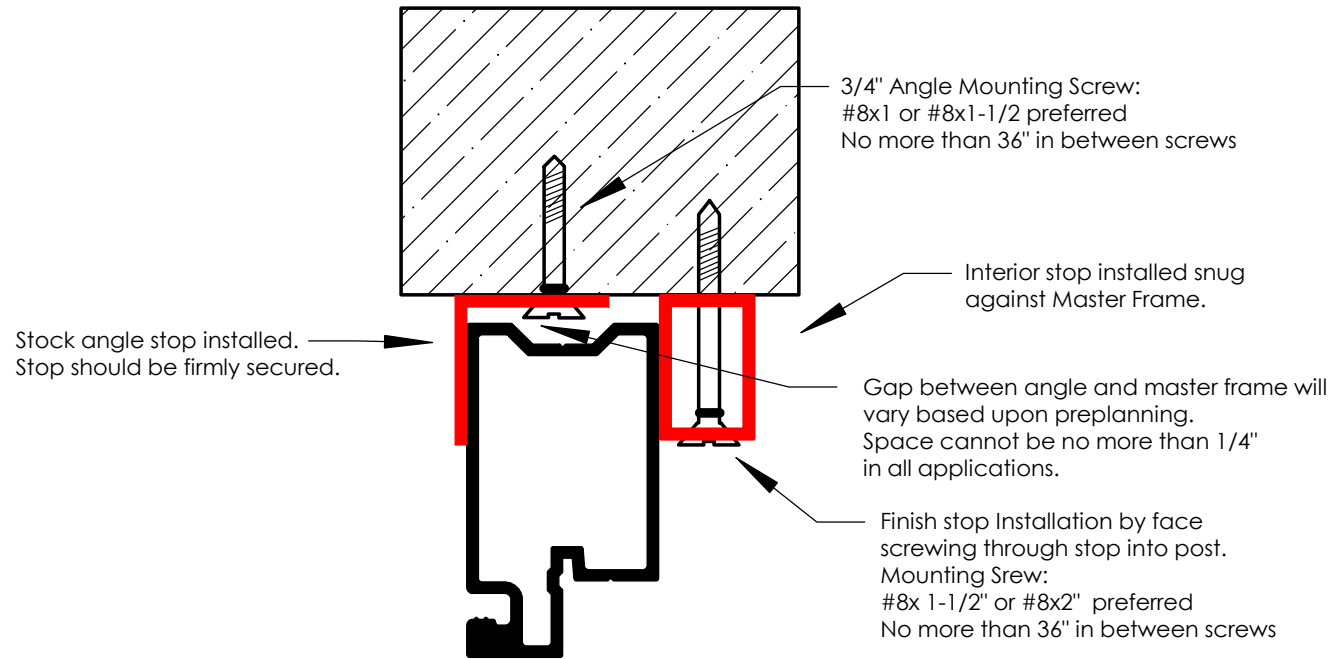



	
CONNECTICUT SCREEN WORKS, INC Wallingford, CT 06492 (203) 741-0859	
Title: Mounting with Angle Stops	
Date: 08/01/06	By: MC
Scale: N/A	Rev: 08/01/06 by MC
Page: 2 OF 5	Rev:
Alloy:	Rev:
Temper:	Patent:
Length:	System - Pending
Die:	
all contents copyright 2006 by CSW, Inc.	

ANGLE STOP MOUNT



SIDE VIEW OF TOP MASTER FRAME

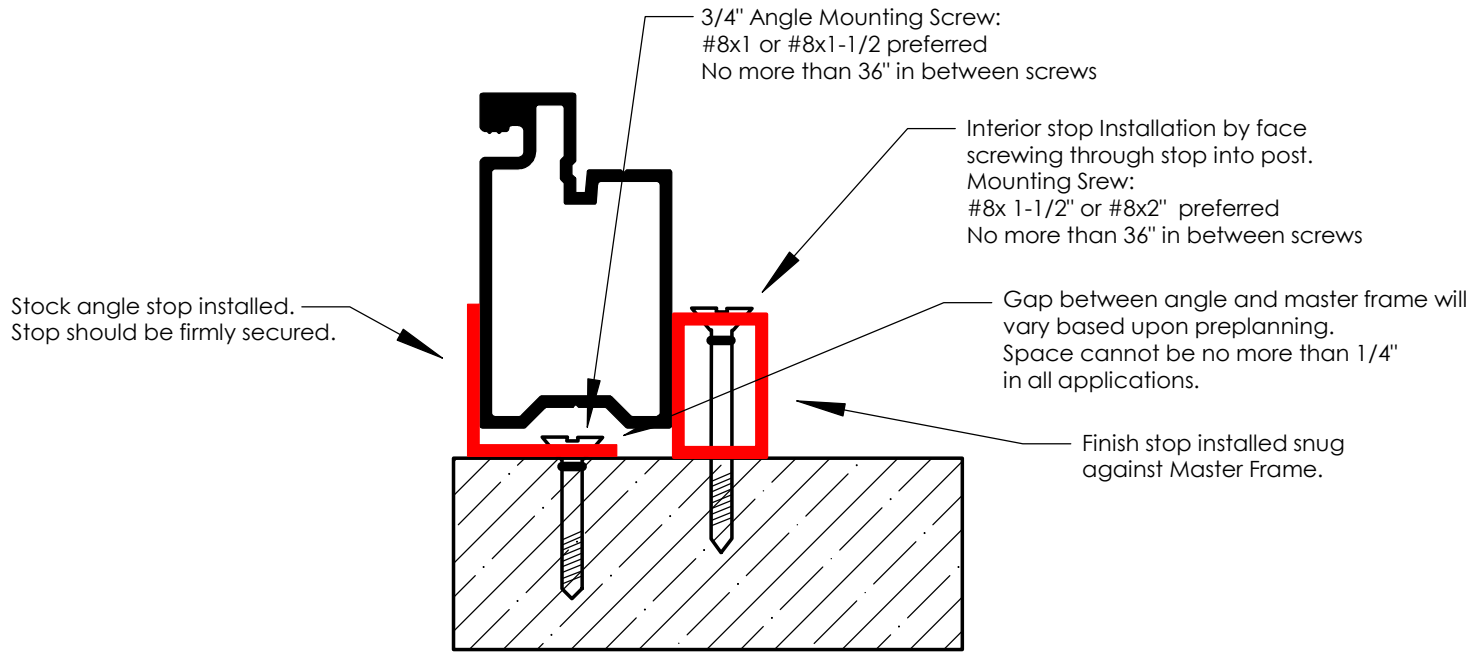



	
CONNECTICUT SCREEN WORKS, INC Wallingford, CT 06492 (203) 741-0859	
Title: Mounting with Angle Stops	
Date: 08/01/06	By: MC
Scale: N/A	Rev: 08/01/06 by MC
Page: 3 OF 5	Rev:
Alloy:	Rev:
Temper:	Patent:
Length:	System - Pending
Die:	
<small>all contents copyright 2006 by CSW, Inc.</small>	

ANGLE STOP MOUNT



SIDE VIEW OF LOWER MASTER FRAME



	
CONNECTICUT SCREEN WORKS, INC Wallingford, CT 06492 (203) 741-0859	
Title: Mounting with Angle Stops	
Date: 08/01/06	By: MC
Scale: N/A	Rev: 08/01/06 by MC
Page: 4 OF 5	Rev:
Alloy:	Rev:
Temper:	Patent:
Length:	System - Pending
Die:	
<small>all contents copyright 2006 by CSW, Inc.</small>	